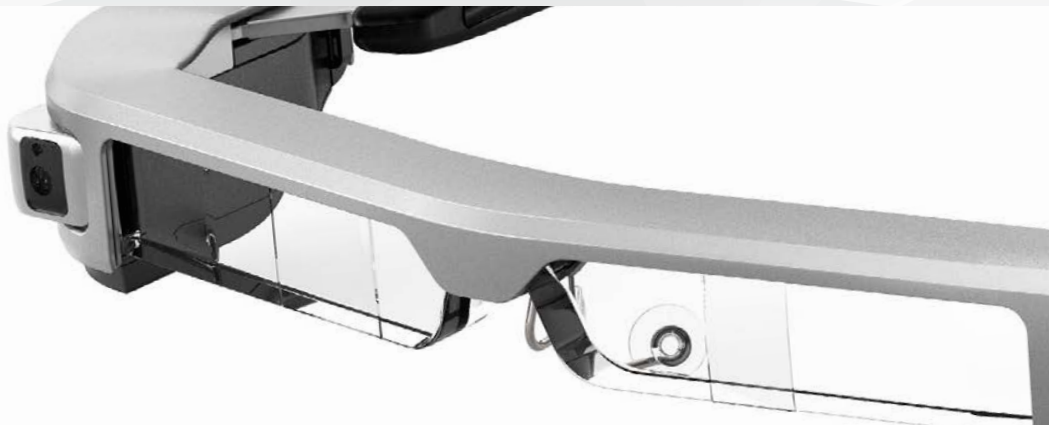


Digital Solutions by



Keep an eye on your patients.

projectAR
powered by KLYM 2

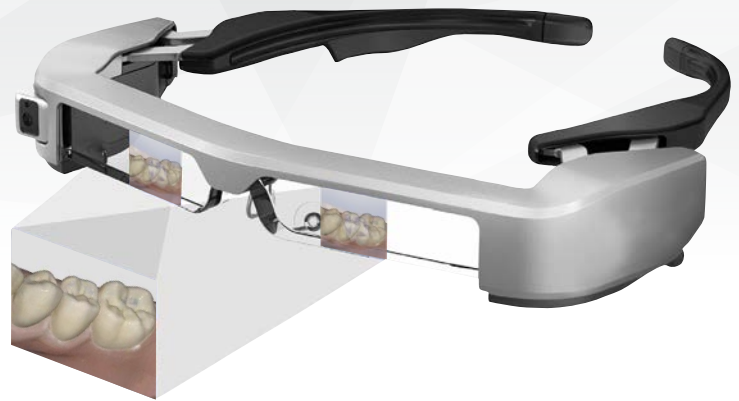
The smart addition to your intraoral scanner

projectAR makes digital impression taking easier for you in an innovative way by connecting multimedia glasses to your intraoral scanner. Detached from your monitor, you are fully focused on the patient's impression taking.

The pAR software connects your CAD system with the glasses. The digital impression of your CAD system is thus transferred in real time to the HD display and ensures an exact image representation. The displayed image section can be defined by yourself.

During the treatment the view to the monitor is not necessary anymore, which promotes an ergonomically correct posture. At the same time it allows you to keep an eye on your patient during the scan. The transparent lenses do not limit your field of vision.

projectAR is the smart addition to your intraoral scanner. The software needs to be installed only once on your CAD system, the data transfer works wirelessly via your WLAN network.

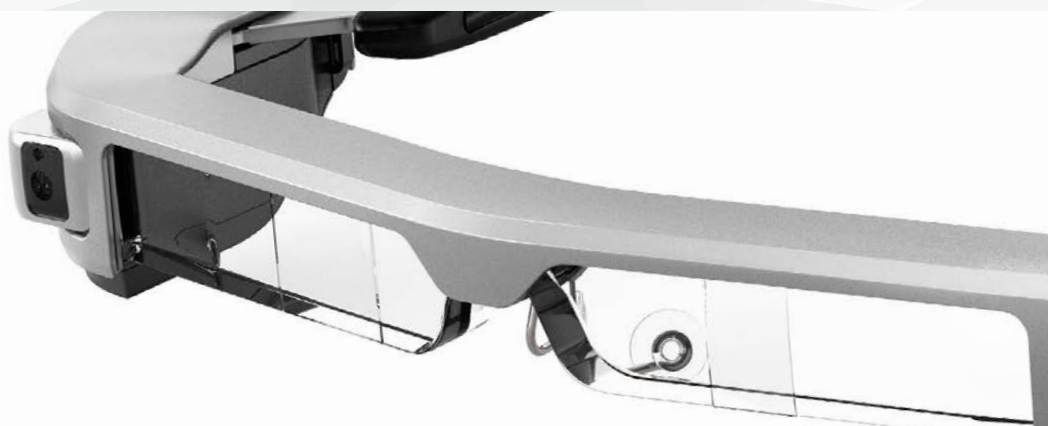


Features & Benefits

- Improved quality of the digital impression through direct control
 - Increased process reliability and time saving thanks to less monitor checks
 - Transparent viewing window in HD resolution
 - Ergonomic treatment posture
 - Image transmission in real time and self-defined image section, wireless via your WLAN network
 - No follow-up costs
- Image gain thanks to most modern treatment method
 - Increased compliance through improved patient information
 - Patient is able to see the video during treatment

Let your patients take center stage!

Digital Solutions by



| | projectAR 300 | projectAR 350 |
|------------------------|--|---|
| Hardware | Light weight design Intel® Atom™ x5 1.44 GHz Quad-Core CPU, 2 GB RAM, built-in connectivity, Bluetooth Smart Ready, Wi-Fi, 5 million pixel camera, GPS, gyroscope | Flexible temples Optimised for glass wearers |
| Display | Si-OLED-Display, 0.43 inch (16:9), 1.280 x 720 px | |
| Delivery content | Inner frame for optical lenses Intraauricular headphone with microphone | |
| Memory | 16 GB extendable: microSD (max. 2 GB), microSDHC (max. 32 GB) | 16 GB Built-in SD card (32 GB) |
| Control unit | | programmable keys |
| Dimensions (D x W x H) | 191 mm x 178 mm x 25 mm | 181 mm x 194 mm x 31 mm |
| Weight | 69 g | 119 g |

System requirements: Windows (64 bit) operating system with WLAN connectivity option for the intraoral scanner
Compatible with CEREC (Omnicam / Bluecam / Apollo / PrimeScan), Carestream (all versions), 3shape (Laptop Version), Medit i500, Medit i600, Medit i700, Medit i700 wireless

www.merz-dental.de